

perform fencing

Installation Guide

The future of fencing



Sustainable Production + Natural Look & Feel

Contents

P. 3 The System

P. 4 General Information

P. 5 Prepare Your Area

P. 6-7 Installation



Perform Fencing

The System

Perform Fencing Board

LHMA240G

[161.5 x 20 x 1760mm]



Concrete Foot Ground Anchor



Aluminium Post Kit

1x Aluminium Post

3x Aluminium Post Side Cover

1x Aluminium Post Cap

1x Bottom Cap

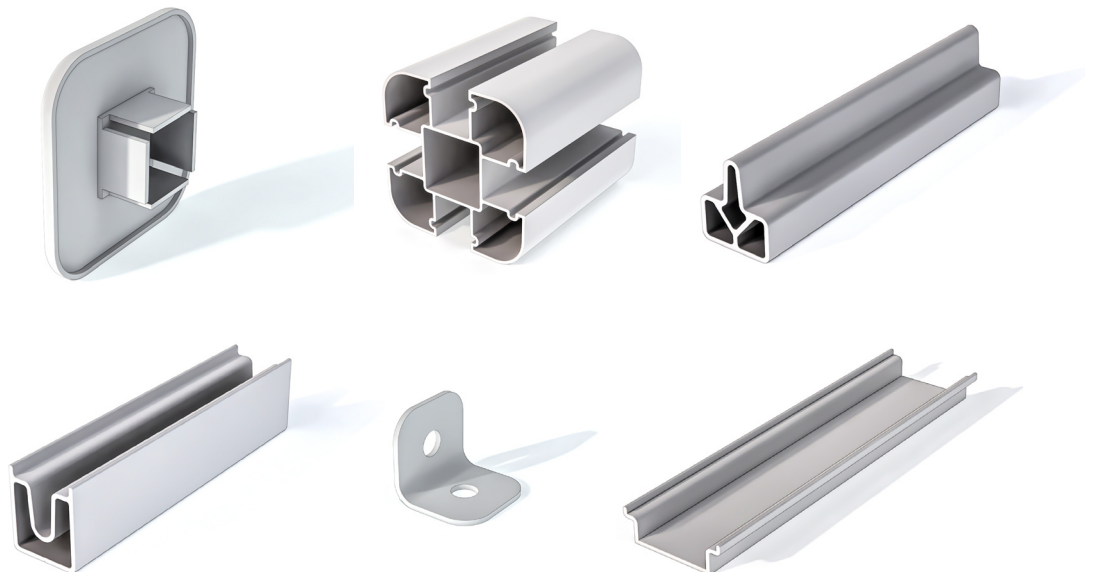
1x Top Cover

2x Corner Clip

4x Screws for Corner Clip

2x M8*50 Bolt

4x Expansion Screws



General Information

1.1 Scope of the Installation Instructions – what you should know:

Please note that the information in this installation guide is based on standard installation situations. Due to the diversity of conceivable foundation conditions and fence sizes, not every individual possibility can be considered in these installation instructions.

For this reason, we ask that you contact your installation team so you can discuss the type of foundations you require and establish any specific requirements you may need to satisfy the following:

- Special ground conditions, e.g. with a slope or the type of ground preparation.
- Deviating design structures and foundations to accommodate the design and location of the fence.
- Specific questions concerning the installation and working with composite material that are not answered in these instructions.

1.2 Working with the material

The **Perform Fencing** board, the Aluminium Post and Top & Bottom Rail, etc. can all be sawn with conventional tools into the required length to suit non-standard requirements.

1.3 Disposal – what to do with waste

Waste pieces (cutting waste) can be disposed of as household or commercial waste; larger quantities should be disposed of as bulky refuse or at a recycling depot.

1.4 Colour Behaviour - the natural influence of wood

The **Perform Fencing** board is dye penetrated and will fade naturally over the course of time without losing the basic character of its colour. It consists of the S2 wood-polymer composite (WPC) developed by the manufacturer.

Properties due to the wood content:

- Colour deviations resulting from UV radiation and moisture are expected and natural.

- In particular, a natural lightening occurs in the initial weeks and months, depending on weathering influences. This lightening does not represent a defect.
- Colour fluctuations within a profile or a batch are natural and highlight the natural character of wood.
- Water spots in the transition area of weathered and partially sheltered terrace surfaces.

Water spots occur due to lignin, a natural constituent of wood that can be washed out under exposure to rain. They can generally be removed with large amounts of clean water and typical household cleaning tools. This effect is minor on surfaces exposed to heavy sunlight or completely rinsed off by rainwater. These water spots do not impair the quality of the terrace profile and do not represent a defect.

1.5 Cleaning and Care - fast and easy

The **Perform Fencing** board requires no special care. However, larger instances of soiling should be cleaned off immediately after they occur. To do this, brush off the fence board profile lengthwise with water and typical household detergents using a normal household cleaning tool. For stubborn dirt, a high-pressure cleaner may be used (max. 80 bar, at least 20 cm distance from profile surface, no rotary nozzle).

Spots from oil, grease etc. can be removed effectively with products such as the following:

- Stain removal spray.
- Power grease remover.
- Multi-purpose cleaner.

Using a brush can also be very helpful. After cleaning, rinse off the profiles well with a large quantity of water.

Algae and moss: Algae and moss as well as mould and fungi can grow on any outdoor surface, including this product. Regular cleaning of the fence (even when it appears clean) prevents the development of conditions conducive to mould growth.

Ice and snow: De-icing salt can be used on the Perform profile without concern. To avoid undesirable salt lines, we recommend washing off the fence board surface thoroughly after thawing.

Prepare Your Area

Correct foundation preparation is essential for a perfect installation of the Perform Fencing system. Serious problems can be avoided at this stage that would only become apparent when the installation is finished. These issues are often difficult or impossible to correct once the fence is erected.

2.1 Preparing the Foundation

Inspect the condition of the foundation. Ensure a sufficiently load-bearing, consolidated foundation of ballast, chippings or the equivalent that is deep enough to prevent frost exposure. Remove any stones, debris or hazardous material.

2.2 Install Post Base

Concrete Foot/Ground Anchor Natural Ground (soil)

In case of insufficiently consolidated ground, dig out square holes of 30x30cm to a sufficient depth of 40cm for each ground anchor.

Dig the following holes 1.8m (centre to centre apart) as shown in illustration.

Position the ground anchors in the centre of the holes ensuring the middle plate levels with the ground. Run a piece of string from the first anchor to the last to make sure they are positioned square to each other.

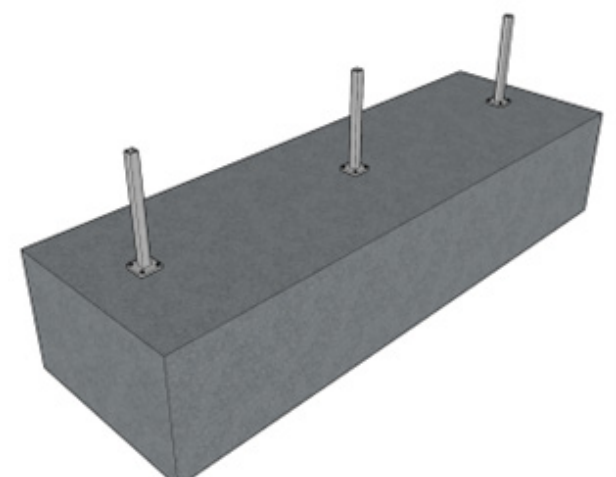
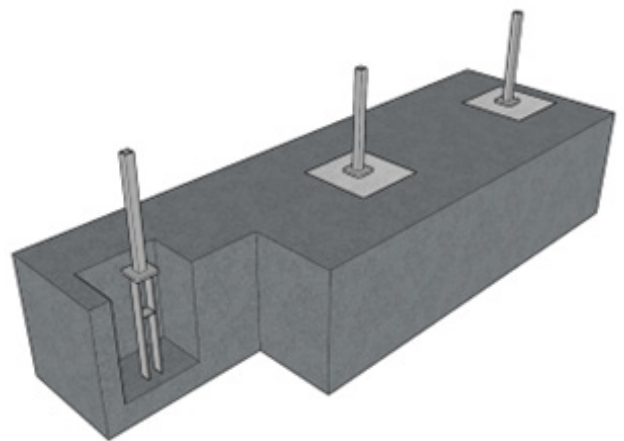
Finally, fill the holes with concrete and make sure every post base is 100% level.

*Strictly keep the posts/post bases 1.8m apart, this will give the fence boards a 4mm gap inside the post slots for thermal expansion in summer.

Concrete Floors (solid concrete platform)

Place the concrete feet 1.8m (centre to centre apart). Locate the pilot holes, ensuring every base is 100% level.

Pre-drill the concrete ground using a 12mm drill bit. Then fix the concrete feet to the ground using expansion bolt M10x70 (included in the kit).

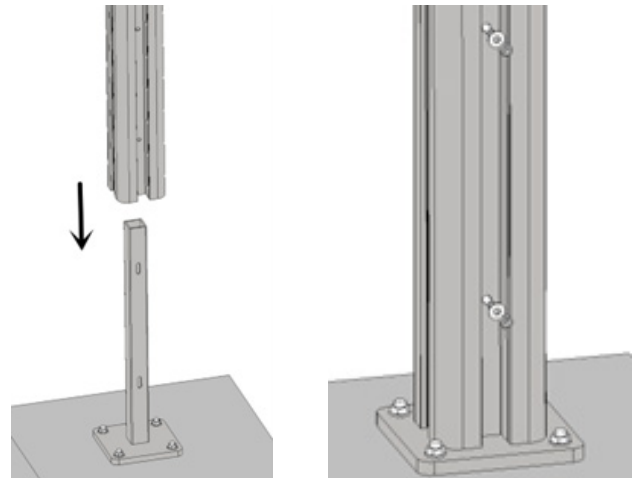


perform fencing

Installation

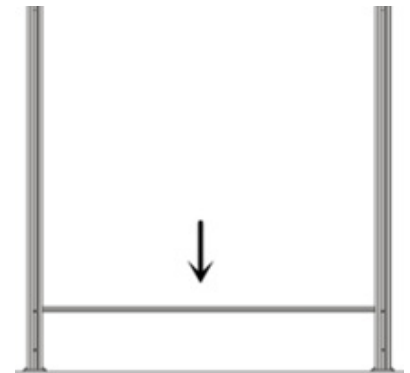
Step 1

Insert the aluminium post into the post base. Make sure the pre-drilled holes on the post line up with the holes on the post base. Secure the post using bolt M8x50 (included in the kit).



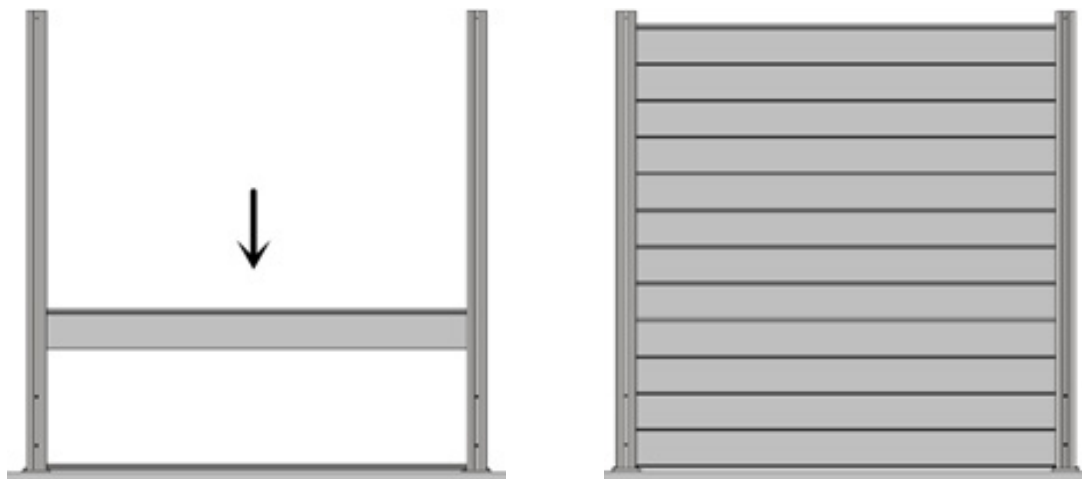
Step 2

Slide the bottom rails into the grooves of the posts, ensuring the bottom rails are slotted into place securely and are level. This will give the first fencing board something to sit on.



Step 3

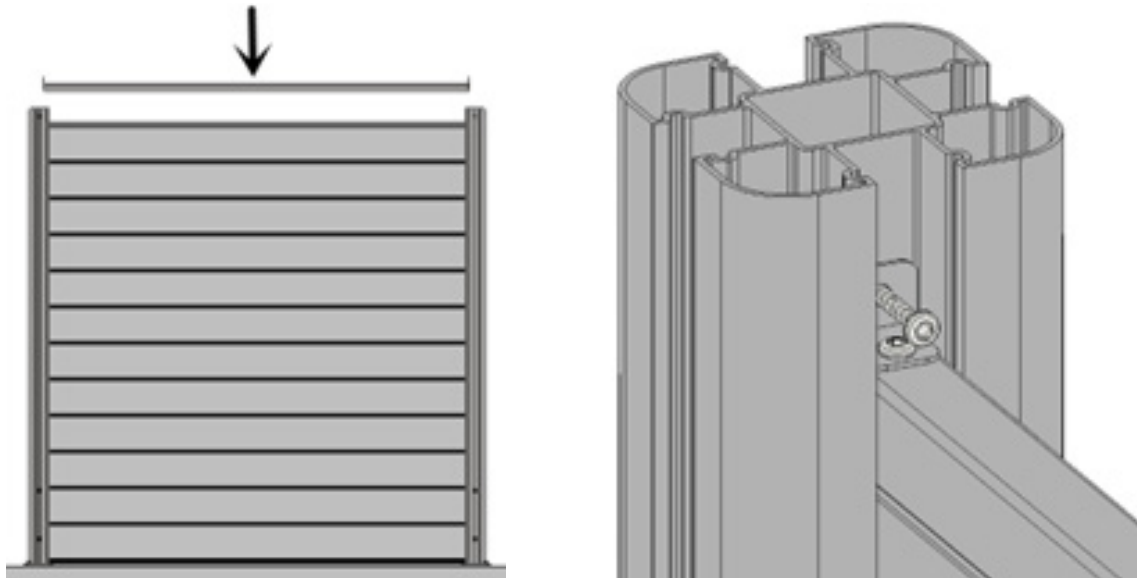
Put the first fence board into the grooves of the posts and slide it onto the bottom rail. Add more fencing boards till the required height has been reached. Each fencing board slots on top of the fencing board previously fitted. A standard set of 1.8m height requires 12 fencing boards.



Installation

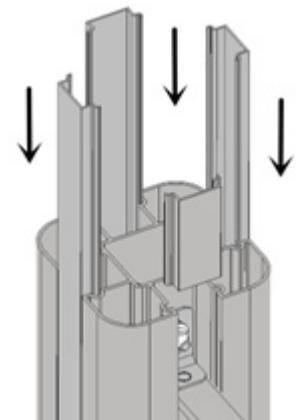
Step 4

Insert the top rail when all fencing boards are fitted. Connect the top rail to the posts using L connector and ST4x20 screws (included in the kit)



Step 5

Insert closing strips to cover the unused post slots. Each kit comes with 3 closing strips in the same length of the post. You will need two closing strips for the posts locate in the middle and three closing strips for the posts at the ends. Spare closing strips can be cut into small lengths for covering the L connectors or other DIY uses.



Step 6

Finish your fence post with a post cap. The matching of post cap and post could be tight to prevent it from coming off. If needed, hammering the post cap into position with a rubber hammer.

